

Atlantic-E weatherproof metal cabinets

IP 66 - IK 10



0 399 30

0 399 35

0 365 53



Cabstop plates

p. 265

Cabinet and equipment selection chart **p. 262-263**
 Technical characteristics **p. 269**

Pack	Cat.Nos	Metal cabinets RAL 7035			
		IP 66 - IK 10 according to IEC EN 60529 Supplied with: galvanized plain mounting plate (removable), earth connection braid and wall mounting lugs Reversible door Supplied with one double bar lock up to 500 x 500 x 250 mm and 2 double bar lock from 600 x 400 x 150 mm Removable cable entries plate Can be equipped with Cabstop plates (p. 265) Can be equipped with Lina 12.5 and Lina 25 perforated plates, sectionned uprights, DIN rail or chassis with insulating faceplates (p. 276, 278, 279) RAL 7035 80 µ thick textured polyester coating			
		Dimensions (mm)			
		Height	Width	Depth	Weight (kg)
1	0 399 30	300	200	150	4.5
1	0 399 31	300	300	150	4.7
1	0 399 32	300	300	200	4.8
1	0 399 33	300	400	200	6.7
1	0 399 34	400	300	150	6.25
1	0 399 35	400	300	200	6.7
1	0 399 36	400	400	200	10.5
1	0 399 37	400	600	250	13.5
1	0 399 38	500	400	150	11
1	0 399 39	500	400	200	11.5
1	0 399 40	500	400	250	12
1	0 399 41	500	500	250	12.5
1	0 399 42	600	400	200	13
1	0 399 43	600	400	250	13.5
1	0 399 44	600	500	200	16
1	0 399 45	600	500	250	16.5
1	0 399 46	600	600	250	17
1	0 399 51	700	500	200	20
1	0 399 52	700	500	250	21
1	0 399 54	800	600	200	27
1	0 399 55	800	600	250	30
1	0 399 56	800	600	300	31.7
1	0 399 59	800	800	300	33.5
1	0 399 63	1000	600	300	48
1	0 399 64	1000	800	250	49.5
1	0 399 65	1000	800	300	52
1	0 399 69	1200	800	300	62

Pack	Cat.Nos	Plinths RAL 7021		
		Height 200 mm Front and rear trap door For cabinets		
		Dimensions (mm)		
		Width (mm)	Depth (mm)	Weight (kg)
1	0 363 00	600	300	6
1	0 363 01	800	300	6.7

Pack	Cat.Nos	Roofs RAL 7035		
		Steel Possible adjustment ± 20 mm (front or back) For cabinets		
		Width (mm)	Depth (mm)	Weight (kg)
1	0 365 51	300	200	1.2
1	0 365 52	400	200	1.4
1	0 365 53	400	250	1.8
1	0 365 64	500	250	2
1	0 365 54	600	250	2.5
1	0 365 56	600	300	3
1	0 365 57	800	300	3.6

Pack	Cat.Nos	Wall mounting lugs (set of 4)
1	0 364 01	For load up to 300 kg Horizontal or vertical installation With a roof, horizontal installation only Zamak RAL 7035 Supplied with cover finish

Pack	Cat.Nos	Lighting kit
1	0 363 12	Supplied with 8 W fluorescent tube, Ø16 mm 230 V - 50 Hz Class I - IP 20 - 600 lumens Electromagnetic compatibility according to EN 55015 Equipped with a switch Connection on terminal block Dim.: 320 x 61 x 32 mm

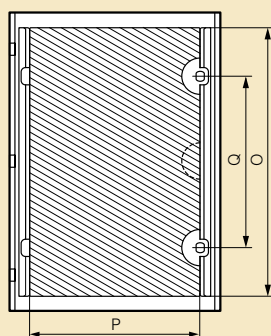
Pack	Cat.Nos	Metal rebate locks
10	0 399 80	Square female 6 mm
10	0 399 81	Triangle male 8 mm

Pack	Cat.Nos	Key barrels
		Supplied with set of 2 keys For key No
10	0 399 86	405
10	0 399 87	455
10	0 399 88	2433 A
10	0 365 45	Set of two 2433 A keys

Pack	Cat.Nos	Metal keys for rebate locks
10	0 365 35	Square female 6 mm
10	0 365 40	Triangle male 8 mm

Atlantic-E weatherproof metal cabinets IP 66 - IK 10

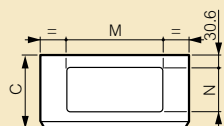
Doors: dimensions usable area



Enclosures H x W (mm)	Door usable space			Locking position Q (mm)
	Height O (mm)	Width P (mm)	Area (dm ²)	
300 x 200	251	80	2.0	(1)
300 x 300	251	180	4.5	(1)
300 x 400	251	280	7.0	(1)
400 x 300	351	180	6.3	(1)
400 x 400	351	280	9.8	(1)
400 x 600	351	480	16.8	(1)
500 x 400	425	280	11.9	(1)
500 x 500	425	380	16.1	(1)
600 x 400	525	280	14.7	350 ⁽²⁾
600 x 500	525	380	19.9	350 ⁽²⁾
600 x 600	525	480	25.2	350 ⁽²⁾
700 x 500	625	380	23.7	450 ⁽²⁾
800 x 600	725	480	36.0	550 ⁽²⁾
800 x 800	725	680	49.3	550 ⁽²⁾
1000 x 600	925	480	44.4	750 ⁽²⁾
1000 x 800	925	680	62.9	750 ⁽²⁾
1200 x 800	1125	680	76.5	950 ⁽²⁾

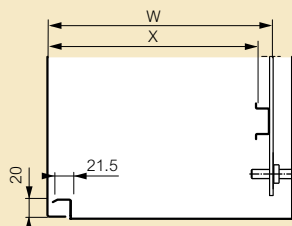
1: Central lock
2: Top and bottom lock

Cable entry plate



Cabinets (mm)			Dimensions of cable entries (mm)	
W	D	Overall depth C	M	N
200	150	155	116.5	62.5
300	150	155	116.5	62.5
300	200	205	116.5	62.5
400	150	155	116.5	62.5
400	200	205	266.5	112.5
400	250	255	266.5	112.5
500	200	205	266.5	112.5
500	250	255	266.5	112.5
600	200	205	266.5	112.5
600	250	255	466.5	147.5
600	300	305	466.5	147.5
800	250	255	466.5	147.5
800	300	305	466.5	147.5

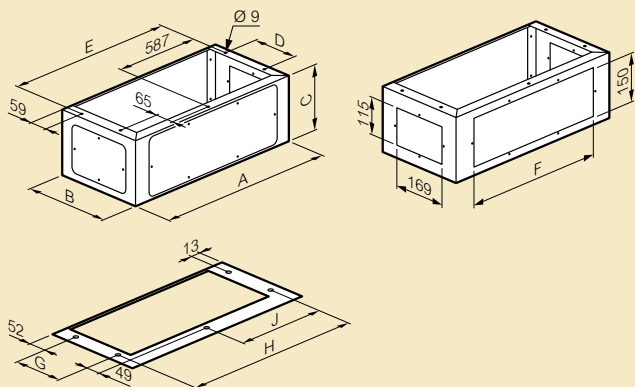
Usable depth



Enclosures depth (mm)	Back of enclosures	
	W (mm)	X (mm)
150	130	115
200	180	165
250	230	215
300	280	265

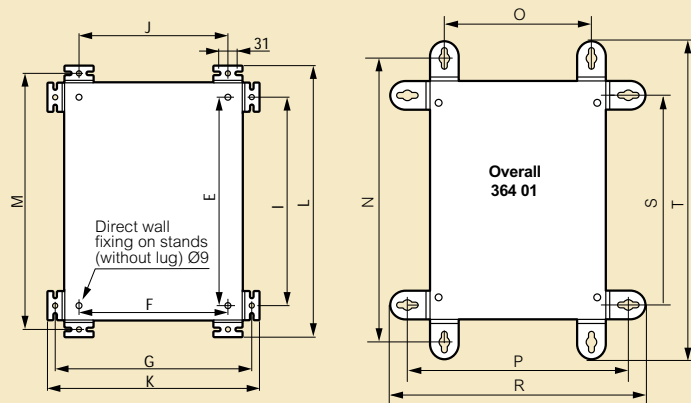
Plinths

Trap doors



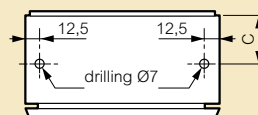
Cat.Nos	Cabinets W x D (mm)	A	B	C	D	E	F	G	H	J
0 363 00	600 x 300	600	280	200	150	574	469	150	542	271
0 363 01	800 x 300	800	280	200	150	774	469	150	742	371

Fixing dimensions



Cabinets (mm)	Vertical lugs		Mounting centres		Horizontal lugs		Mounting centres		Overall		Overall 0 364 01		Vertical lugs		Horizontal lugs	
	H	W	M	J	E	I	G	F	L	K	T	R	N	O	P	S
300	200	330	150	250	250	230	150	356	256	430	330	375	150	275	250	
300	300	330	250	250	250	330	250	356	356	430	430	375	250	375	250	
300	400	330	350	250	250	430	350	356	456	430	530	375	350	475	250	
400	300	430	250	350	350	330	250	456	356	530	430	475	250	375	350	
400	400	430	350	350	350	430	350	456	456	530	530	475	350	475	350	
400	600	430	550	350	350	530	550	456	656	530	730	475	550	575	350	
500	400	530	350	450	450	430	350	556	456	630	530	575	350	475	450	
500	500	530	450	450	450	530	450	556	556	630	630	575	450	575	450	
600	400	630	350	550	550	430	350	656	456	730	530	675	350	475	550	
600	500	630	450	550	550	530	450	656	556	730	630	675	450	575	550	
600	600	630	550	550	550	630	550	656	656	730	730	675	550	675	550	
700	500	730	450	650	650	530	450	756	556	830	630	775	450	575	650	
800	600	830	550	750	750	630	650	856	656	930	730	875	550	675	750	
800	800	830	750	750	750	830	750	856	856	930	930	875	750	875	750	
1000	600	1030	550	950	950	630	550	1056	656	1130	730	1075	550	675	950	
1000	800	1030	750	950	950	830	750	1056	856	1130	930	1075	750	875	950	
1200	800	1230	750	1150	1150	830	750	1256	856	1330	930	1275	750	875	1150	

Roofs fixing



Cat.Nos	C (mm)
0 365 51/52	100
0 365 53/54/64	125
0 365 56/57	150



www.klinkmann.com

Helsinki

tel. +358 9 540 4940
automation@klinkmann.fi

Yekaterinburg

tel. +7 343 287 19 19
yekaterinburg@klinkmann.spb.ru

Vilnius

tel. +370 5 215 1646
post@klinkmann.lt

St. Petersburg

tel. +7 812 327 3752
klinkmann@klinkmann.spb.ru

Samara

tel. +7 846 273 95 85
samara@klinkmann.spb.ru

Tallinn

tel. +372 668 4500
klinkmann.est@klinkmann.ee

Moscow

tel. +7 495 641 1616
moscow@klinkmann.spb.ru

Kiev

tel. +38 044 495 33 40
klinkmann@klinkmann.kiev.ua

Minsk

tel. +375 17 200 0876
minsk@klinkmann.com

Riga

tel. +371 6738 1617
klinkmann@klinkmann.lv